

PVC check valve type 67

Cepex



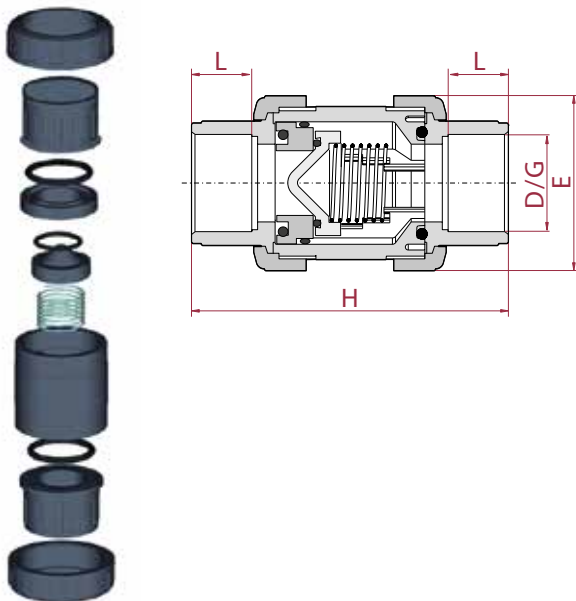
The Cepex Type 67 is a spring-loaded cone check valve with rubber seals. This valve can be installed in all directions. Thanks to its versatility and attractive price, this check valve is interesting for a wide range of applications and with proper use offers a lasting leak-free connection.

APPLICATION

With clean water, e.g. rain water in intake and pressure lines

CHARACTERISTICS

- ✓ Spring-loaded
- ✓ EPDM / FPM model
- ✓ Available in a wide range of sizes



TECHNICAL DATA

Model	: cone with spring
Diameters	: 16 - 110 mm
Connection	: glue with nut
Installation	: free installation position
Max. working pressure	: 16 bar (dia. 16 - 63 mm) : 10 bar (dia. 75 - 110 mm)
Material	: PVC (housing) : EPDM / FPM (seals) : Stainless steel 302 (spring)
Max. temperature	: 45°C (with decreasing max. working pressure)

Sizes and Kv-values

Diameter (mm)	DN (mm)	L (mm)	H (mm)	E (mm)	Kv-Value (l/min)
16	15	16	84	52	68
20	15	16	84	52	68
25	20	19	108	62	133
32	25	22	119	70	208
40	32	26	142	84	383
50	40	31	162	94	667
63	50	38	192	117	850
75	65	44	232	148	1533
90	80	51	269	179	2100
110	80	61	279	179	2280

INSTALLATION & MAINTENANCE

- ✓ The valve can be installed both horizontally and vertically.
- ✓ Install strain-free by using brackets.
- ✓ Pay attention to the arrow for the correct flow direction during installation.