

# FIP FE manual butterfly valve

FIP



Butterfly valves are predominantly used as open/closed valves, but can also regulate the capacity to a certain extent by adjusting the butterfly to a particular angle. The ergonomic handle with blocking position allows the valve to be set to any desired position.

The butterfly has reinforcing ribs and is CNC-machined for better closing and smoother operation. The sealing rubber is contained in a groove and has four ridges for better sealing against the collared bush.

The FE butterfly valves are supplied as standard with a fitted PVC flange set. They have a housing with oval flange holes to match various standard flange dimensions. Particularly for small installation dimensions, FE butterfly valves are available with a steel flange. With ebb and flood systems, for example, the valve thus remains within the greenhouse row so that it is possible to drive machines close to the row. With pipeline corridors, this makes a significant difference to the installation width.

Butterfly valves can also be assembled with (partly) PE flanges to permit a simple transition from PE to PVC. The FE butterfly valves standardised to ISO Drives can be installed without fitting piece. The housing of the FE Series is made in one piece.

## APPLICATION

As manually actuated valve for installation on water silos and system units. In automated version for e.g. ebb and flood systems and irrigation systems (see Automatic FIP-FE butterfly valve).

## CHARACTERISTICS

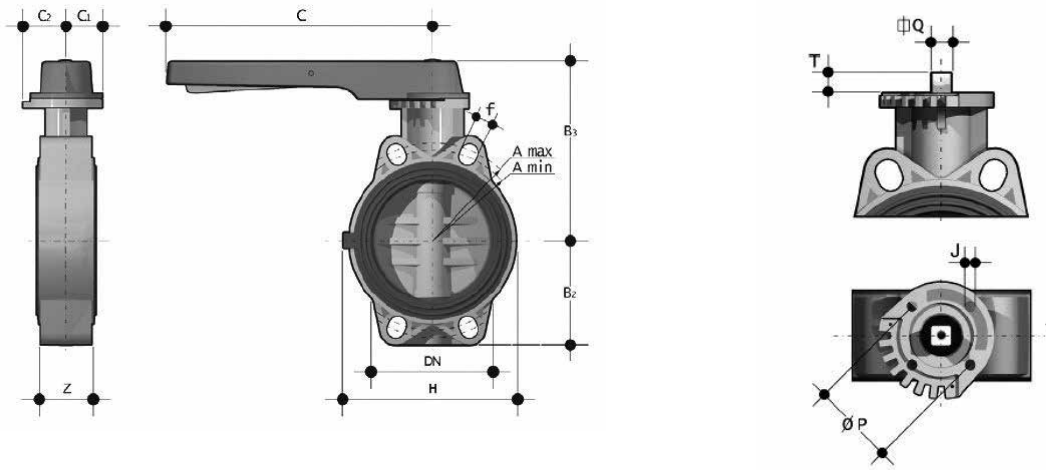
- ✓ Smooth operation and good sealing
- ✓ Supplied as standard with fitted PVC flange set
- ✓ Can be expanded to include pneumatic or electric drives without fitting piece
- ✓ For installation above and below ground
- ✓ Model with extra narrow flange set for favourable installation widths
- ✓ Locking with handle
- ✓ ISO-standardised

## TECHNICAL DATA

Diameter	: 50-315 mm
Operation	: manually actuated with handle or stainless steel valve wrench, length 1.5 meter
Max. temperature	: 60°C (with decreasing working pressure)
Max. working pressure	: up to 10/16 bar (at 20°C)
Material	: PVC-U (housing) : PVC-U (damper blade) : EPDM



## Technical data



## Dimensions (mm) and torque

d	DN	PN	B2	B3	C	C1	C2	H	Z	f	g	P	Q	T	no-b	M-b	L-b	Nm-b
50	40	16	60	136	175	45	42	132	33	19	827	50	11	12	4	M-16	110	9
63	50	16	80	143	175	45	42	147	43	19	1012	50	11	12	4	M-16	120	12
75	65	10	80	168	250	45	53	165	46	19	1420	50/70	11	12	4	M-16	130	15
90	80	10	90	182	250	45	53	130	49	19	1640	70	14	16	8	M-16	140	18
110	100	10	105	196	250	45	53	150	56	19	1990	70	14	16	8	M-16	160	20
125	125	10	121	215	335	45	53	185	64	23	3030	70	17	19	8	M-16	180	35
140	125	10	121	215	335	45	53	185	64	23	3030	70	17	19	8	M-16	200	35
160	150	10	132	229	335	45	53	210	70	23	3730	70	17	19	8	M-20	240	40
200	200	10	161	309	425	65	82	325	71	23	8240	102	22	24	8	M-20	280	55
225	200	10	161	309	425	65	82	325	71	23	8240	102	22	24	8	M-20	300	55
280	250	6	210	248	-	-	-	405	114	22	12000	102/125/140	22	24	12	M-20	280	120
315	300	4	245	305	-	-	-	475	114	22	19000	102/125/140	22	24	12	M-20	300	190

g = Weight in grams for butterfly valve with handle

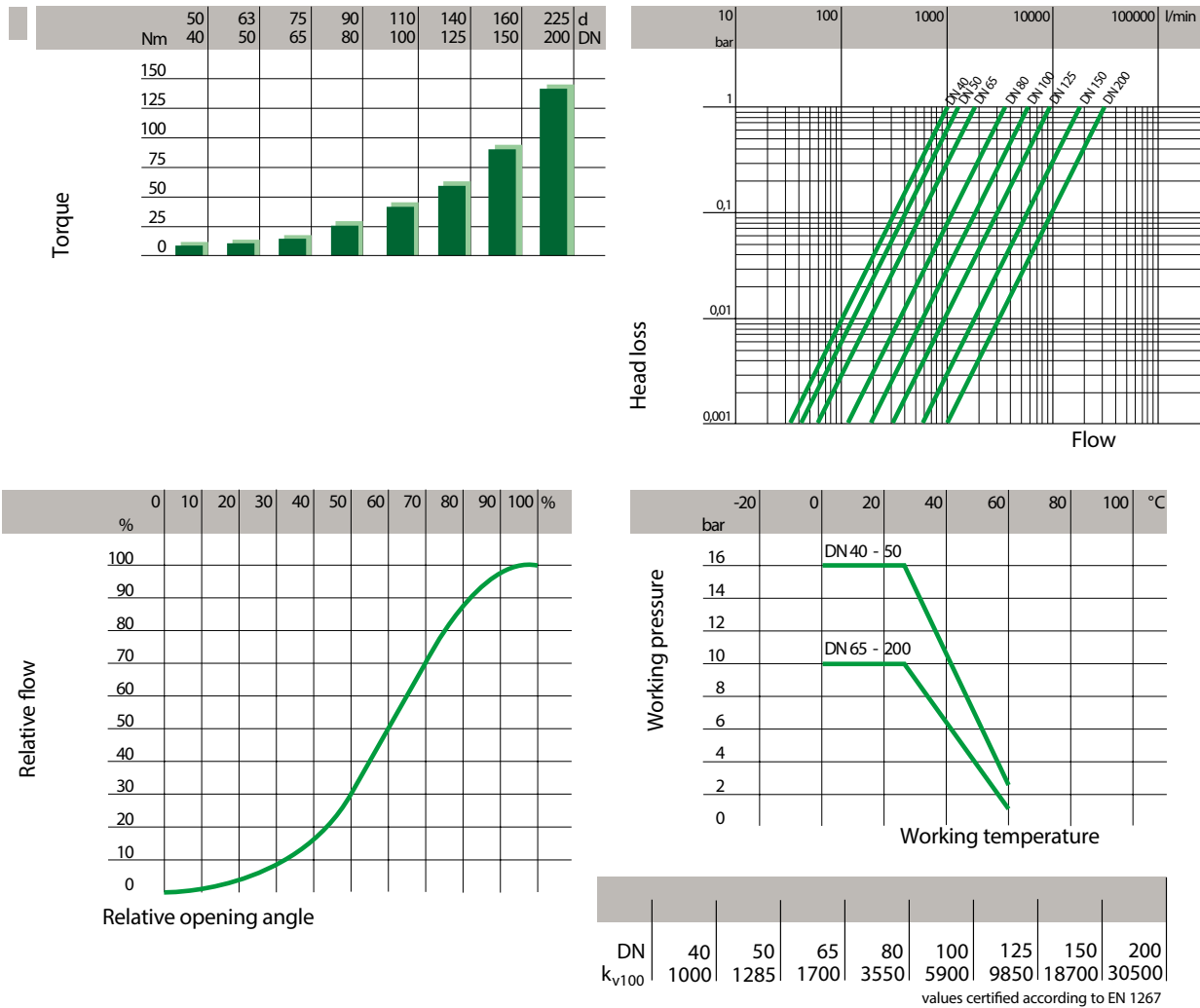
no-b = No. of nuts/bolts

M-b = Size of nuts/bolts

L-b = Minimum length of bolts

Nm-b = Recommended torque for tightening nuts/bolts

## Technical data



### St.St. extensions wrench

FE butterfly valves can be installed both above and below ground. Special 1.5 meter long stainless steel extension wrenches are available for manual actuation of underground butterfly valves. These can be fitted directly onto the shaft for actuation of the valve. The stainless steel extension wrench is available for FIP butterfly valves with a diameter of: 50-75, 90-160 and 200-225 mm.

### INSTALLATION & MAINTENANCE

- ✓ The FIP FE butterfly valves can be installed in any desired position in PVC pipe work systems.  
In contaminated water, however, it is better to install the shaft horizontally.
- ✓ Install butterfly valves with at least 3 - 5 times the diameter from an elbow.
- ✓ After installing the valve in the line, the flange bolts must be tightened uniformly.
- ✓ Opening or closing a butterfly valve too fast can cause water hammer.
- ✓ When delivered with a blue handle, it is packed separately (to prevent transport damage). Installation of the handle must be in accordance with the cut.
- ✓ For water with high pollution it is recommended to install the valve at an angle, as shown in the figure below:

