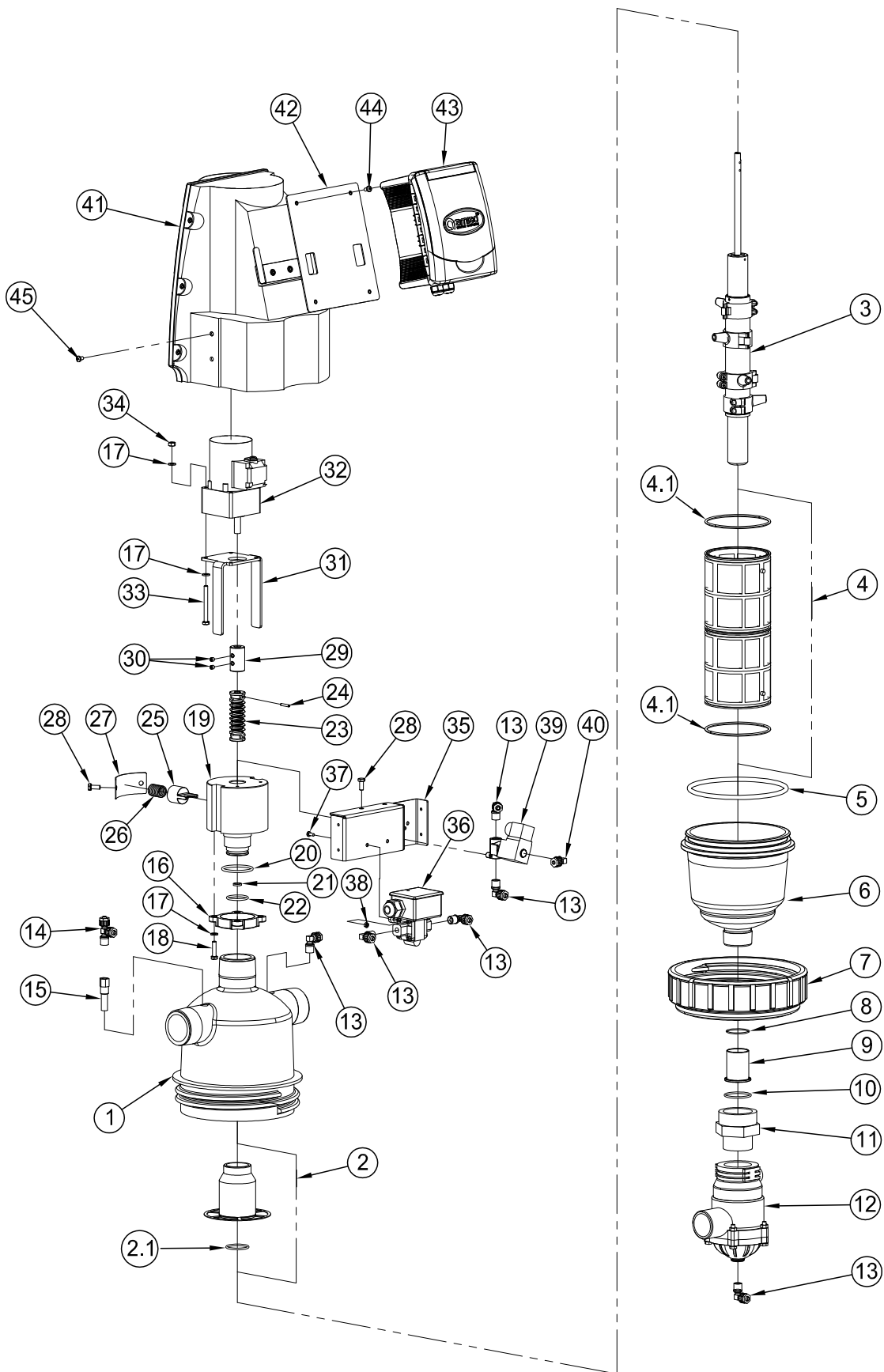


ONDERDELENLIJST TAF 2"

1	Housing 2" TAF-500/750 NPT 1 NYLON	A710103-001202
1	2"TAF-500/750 Housing BSPT Electric 1 NYLON	A710103-001200
2	Pressure Balancing Assembly 2" TAF Electric 1 Various	A700190-001831
2.1	O-Ring Seal P2-125 Scanner Bearing NBR'S" 1 NBR	74480-014145
3	Suction Scanner 2" TAF-750 1 Various	A700190-001925
4	en TAF-750 1 Various	zie filterschermen
4.1	O-Ring Seal P2-242 (2"/3 Screen) NBR'S" 2 NBR	74480-004100
5	O-Ring Seal P2-437 1 NBR	74480-004150
6	2"TS,3"T Lid PA BSPT 1 NYLON	A710103-000562
7	Tightening nut (T filters) 1 NYLON	74480-006170
8	O-Ring Rubber Seal P2-028 1 NBR	A770102-000069
9	Long Bearing For Suction Scanner 2"T 1 Delrin	A710103-000704
10	O-Ring Seal P2-129 NBR 1 NBR	A770102-000096
11	Connector 11/2"FX11/2"M 1 ST.37-2	A780101-000955
12	1-1/2" Dorot 60 ANC Valve	71600-006445
13	L-Connector 1/4"X8MM Red/Black 6 NYLON	A720501-000198
14	Finger Filter 1 Various	A730110-000034
15	T-Connector 8MMX8MMX1/4"M Black-Red 1 PP	A720501-000232
16	Motor Connecting Flange 2" TAF NPT 1 NYLON	A710101-000765
16	Motor Connecting Flange 2" TAF BSPT 1 NYLON	A710101-000760
17	Flat Washer M6 DIN125S/ST316 12 SST316	76540-005280
18	Hex Bolt Full Thread M6X25 S/ST316 DIN933 4 SST316L	A760101-000445
19	Endless Worm Shaft Housing TAF 1 Delrin	74480-066200
20	O-Ring Seal 3.5X45 TAF Motor Housing NBR 1 NBR	74480-018027
21	Seal U-Cup (Scanner Shaft) Hydro-TAF 1 NBR	74480-005747
22	O-Ring Seal 30X3 NBR "S" 1 NBR	74480-018023
23	Reversible Worm Shaft 1 Acetal	74480-017227
24	Slotted Pin 3x20 DIN1481 S/ST 304 1 S/ST 304	74480-018067
25	Endless Worm Shft Tooth 1 S/ST 303	74480-017290
26	Spring Tooth S/St302 1 Hastelloy C-276	74480-010857
27	Tooth Cover TAF 1 S/ST 316L	A710103-001210
28	Hex Bolt Full Thread M6X15 S/ST304 DIN933 4 SST304	A760101-000443
29	Motor Shaft Coupler 1 S/ST 316L	74480-066050
30	Socket Set Screw M6X6 SST304 DIN916 2 SST304	A760101-000544
31	Drive Unit Basis TAF 1 S/ST 316L	A710103-001217
32	Drive Unit TAF-750 220V AC 1/25 1 Various	74480-066000
32	Drive Unit TAF-750 110V AC 1/25 1 Various	A720201-000032
33	Hex Bolt Full Thread M6X60 S/ST316 DIN933 4 SST316L	A760101-000607
34	Hex Nut M6 S/ST316 DIN934 4 SST316L	A760102-000085
35	Instrumentation Bracket 1 S/ST 316L	A710103-001212
36	PD Switch UE 24-011 1 Various	74480-011540
37	Phillips Pan Machine Screw M4X10 316 2 SST316L	A760101-000529
38	Hex Nut M4 S/ST304 DIN934 2 SST304	A760102-000083
39	3/2 Nc Solenoid Valve (Type B) 24VAC 50Hz 1 Various	74480-013140
39	3/2 Nc Solenoid Valve 24VAC 60Hz 1 Various	A720103-000189
40	L-Connector 1/8"MX6MM Black-Red 1 PP	A720501-000209
41	Drive Unit Cover TAF 1 Various	A710103-001204
42	Control System Sling Electric	74480-017231
43	Electronic Control 230VAC 6-OUT 1INVarious	74480-050010
44	Phillips Pan Machine Screw M5X8 S/ST316 4 SST316L	A760101-000713
45	Phillips Pan Machine Screw M5X8 304 4 SST304	A760101-000530

ONDERDELENTEKENING TAF 2"



ONDERDELENLIJST TAF 3" DRAAD- EN FLENSAANSLUTING

	Housing 3" TAF-750 BSPT Machined 1 NYLON	A710103-001269
1	Housing 3" TAF-750 NPT Machined 1 NYLON	A710103-001271
2	Pressure Balancing Assembly 3" TAF-750 1 Various	A700190-001924
2.1	O-Ring Seal P2-125 Scanner Bearing NBR'S* 1 NBR	74480-014145
3	Suction Scanner 3" TAF-750 1 Various	74480-066100
4	en TAF-750 1 Various	zie filterschermen
4.1	O-Ring Seal P2-242 (2"/3 Screen) NBR'S* 2 NBR	74480-004100
5	O-Ring Seal P2-437 1 NBR	74480-004150
6	2'T-S,3'T Lid PA BSPT 1 NYLON	A710103-000562
7	Tightening nut (T filters) 1 NYLON	74480-006170
8	O-Ring Rubber Seal P2-028 1 NBR	A770102-000069
9	Long Bearing For Suction Scanner 2'T 1 Delrin	A710103-000704
10	O-Ring Seal P2-129 NBR 1 NBR	A770102-000096
11	Connector 11/2"FX11/2"M 1 ST.37-2	A780101-000955
12	1-1/2" Dorot 60 ANC Valve	71600-006445
13	L-Connector 1/4"X8MM Red/Black 7 NYLON	A720501-000198
14	Finger Filter 1 Various	A730110-000034
15	T-Connector 8MMX8MMX8MM Black-Red 1 PVC	A720501-000228
16	Motor Connecting Flange 2" TAF NPT 1 NYLON	A710101-000765
16	Flange Adaptor (HYDROTAF) 1 NYLON	A710101-000760
17	Flat Washer M6 DIN125S/ST316 12 SST316	76540-005280
18	Hex Bolt Full Thread M6X25 S/ST316 DIN933 4 SST316L	A760101-000445
19	Endless Worm Shaft Housing TAF 1 Delrin	74480-066200
20	O-Ring Seal 3.5X45 TAF Motor Housing NBR 1 NBR	74480-018027
21	Seal U-Cup (Scanner Shaft) Hydro-TAF 1 NBR	74480-005747
22	O-Ring Seal 30X3 NBR "S" 1 NBR	74480-018023
23	Reversible Worm Shaft 1 Acetal	74480-017227
24	Slotted Pin 3x20 DIN1481 S/ST 304 1 S/ST 304	74480-018067
25	Endless Worm Shft Tooth 1 S/ST 303	74480-017290
26	Spring Tooth S/St:302 1 Hastelloy C-276	74480-010857
27	Tooth Cover TAF 1 S/ST 316L	A710103-001210
28	Hex Bolt Full Thread M6X15 S/ST304 DIN933 4 SST304	A760101-000443
29	Motor Shaft Coupler 1 S/ST 316L	74480-066050
30	Socket Set Screw M6X6 SST304 DIN916 2 SST304	A760101-000544
31	Drive Unit Basis TAF 1 S/ST 316L	A710103-001217
32	Drive Unit TAF-750 220V AC 1/25 1 Various	74480-066000
32	Drive Unit TAF-750 110V AC 60HZ 0.015KW 1/25 1 Various	A720201-000032
33	Hex Bolt Full Thread M6X60 S/ST316 DIN933 4 SST316L	A760101-000607
34	Hex Nut M6 S/ST316 DIN934 4 SST316L	A760102-000085
35	Instrumentation Bracket 1 S/ST 316L	A710103-001212
36	PD Switch UE 24-011 1 Various	74480-011540
37	Phillips Pan Machine Screw M4X10 316 2 SST316L	A760101-000529
38	Hex Nut M4 S/ST304 DIN934 2 SST304	A760102-000083
39	3/2 Nc Solenoid Valve (Type B) 24VAC 50Hz 1 Various	74480-013140
39	3/2 NC Solenoid Valve 60HZ NC 24VAC 1 Various	A720103-000189
40	L-Connector 1/8"MX6MM Black-Red 1 PP	A720501-000209
41	Drive Unit Cover TAF 1 Various	A710103-001204
42	Control System Sling Electric	74480-017231
43	Electronic Control 230VAC 6-OUT 1INVarious	74480-050010
44	Phillips Pan Machine Screw M5X8 S/ST316 4 SST316L	A760101-000713
45	Phillips Pan Machine Screw M5X8 304 4 SST304	A760101-000530
46	Cap Seal 3/4" NBR 1 NBR	A770103-000025
47	3/4" Cap Black 1 PP	A710101-000674
48	Plastic Flange 3" NPT 2 PP	A710103-000568
49	Flange Support 3" ASA150 2 SAE 1020	A710105-000041
50	O-Ring Seal P2-339 (3" Flange)NBR "S" 2 NBR	A770102-000150
51	Plug 1/4"M Black 1 PVC	A720501-000221

ONDERDELENTEKENING TAF 3" FLENSAANSLUITING

