

M100-filters

Amiad



The M100 Series is a range of automatic hydraulic filters with a self-cleaning mechanism driven by a hydraulic turbine. These filters are designed to operate with different types of filter screen, varying from 80 to 500 micron.

The M100 is equipped as standard with a flushing control system with an electronic differential pressure controller and integral drain valve. The drive comes from a turbine and suction device, making the M100 filter extremely simple in design. The M100 uses very little flushing water and has a special coating as protection against fertilisers. No external energy source is required; the filter operates as standard with batteries, but can also be fitted with a 230 V adapter.

APPLICATION

Pre-filtration, drip irrigation, spinkler irrigation (roof, greenhouse and outdoor irrigation). Suitable as a stand-alone solution for locations without mains power supply.

CHARACTERISTICS

- ✓ Available with 3" to 6" connection
- ✓ Large effective screen surface area
- ✓ Coarse inlet filter and fine filter screen
- ✓ Small amount of flushing water
- ✓ Amiad controller available for controlling several filters in parallel
- ✓ CE approved

TECHNICAL DATA

Filter		M100-750	M100-1500	M100-4500	M100-6800A
General information					
Version		angled	angled	straight	straight
Theoretical capacity	m ³ /h	40	80	120	400
Effective filter area	cm ²	750	1500	4500	6800
Standard filtration levels	micron	80, 100, 130, 200, 300, 500			
Material of filter screen		welded and woven stainless steel 316L			
Diameter of connecting flange		3"	4"	4"	6"
Minimum working pressure	bar	2.5 bar (behind the filter, during flushing)			
Maximum working pressure	bar	8	8	10	10
Maximum (working)temperature	°C	55	55	55	55
Weight	kg	22	35	90	120
Flushing					
Flushing time (sec)	sec	10	10	15	15
Flushing water per cycle (at 2 bar)	litres	45	60	125	150
Minimum flushing capacity	m ³ /h	15	20	26	30
Flushing criteria		Pressure difference of 0.5 bar			
Materials					
Filter housing		Epoxy-coated steel			
Filter cover		Epoxy-coated steel 372, high leak-tightness PP (cover)			
Cleaning mechanism		PVC, stainless steel 316L			
Drainage tap		Brass, stainless steel 316, nitrile rubber			
Seals		Nitrile rubber			
Control mechanism		Aluminium, brass, stainless steel 316, PVC, acetal			

Filter selection

The choice of filter depends on the desired capacity, filtration level and contamination level of the water. The selection table below can be used to make the right choice. The application recommendations below have been compiled with the greatest care on the basis of practical experience and based on an average water contamination. Deviations can occur, for example, due to dirtier water or pre-filtration; in some cases rainwater can be more contaminated than surface water. It is then possible that the values for surface water have to be used for rainwater. If in doubt, ask Netafim Netherlands for advice.

Application recommendations for M100-filters (capacity in m³/h)

Micron	500	300	200	130	100	80
Rain water						
M100-750 3"	28	24	23	20	18	14
M100-1500 4"	55	48	46	40	36	28
M100-4500 4"	120*	120*	120*	120*	108	84
M100-6800A 6"	240	232	200	180	140	100
Surface water						
M100-750 3"	23	20	18	17	14	10
M100-1500 4"	46	40	36	34	28	20
M100-4500 4"	120*	120*	108	84	72	60
M100-6800A 6"	209	182	163	127	109	90
Drain water						
M100-750 3"	21	18	16	12	10	8
M100-1500 4"	41	36	32	24	20	16
M100-4500 4"	120*	108	96	72	60	48
M100-6800A 6"	187	163	145	109	90	73

*Restricted to 120 m³/h through body and maximum connection capacity

Dimensions of stainless steel filter elements

Type	Screen cylinder		
	ø (mm)		H (mm)
	d1	d2	
M100-750	224	224	191
M100-1500	223	223	315
M100-4500	223	223	885
M100-6800A	224	224	1265

750 - 1500 - 4500 - 6800A



Abbreviations in designations

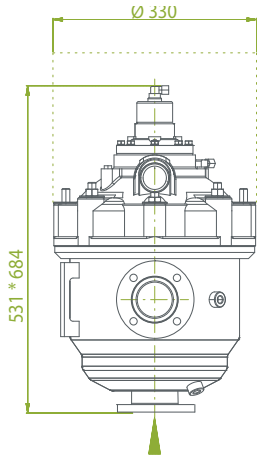
The abbreviations T0, T1, T4, T6 or combinations thereof are used in the parts of the various M100 filters. These abbreviations stand for:

- T0 : M100-750
- T1 : M100-1500
- T4 : M100-4500
- T6 : M100-6800A
- T0146 : Part can be used in all types of M100 filter

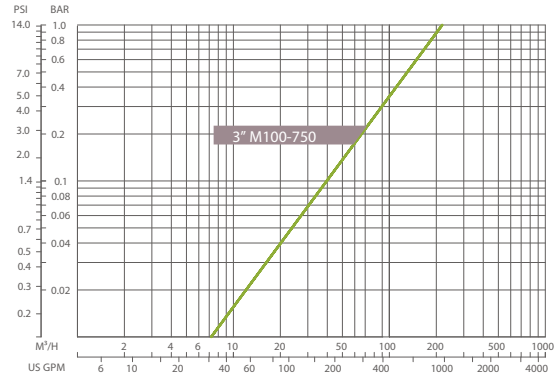
TECHNICAL DRAWINGS AND DIAGRAMS

Installation overview / dimensions (mm)

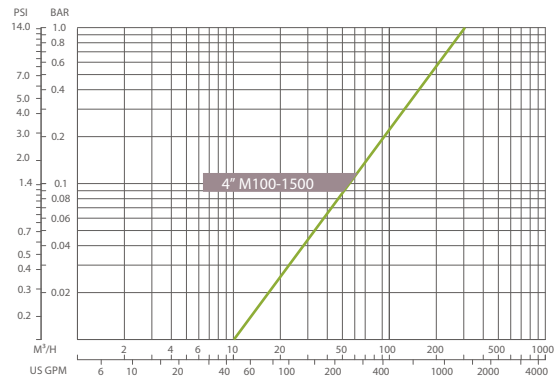
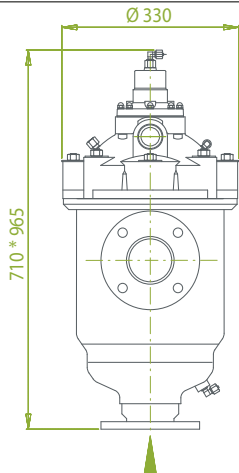
M100-750



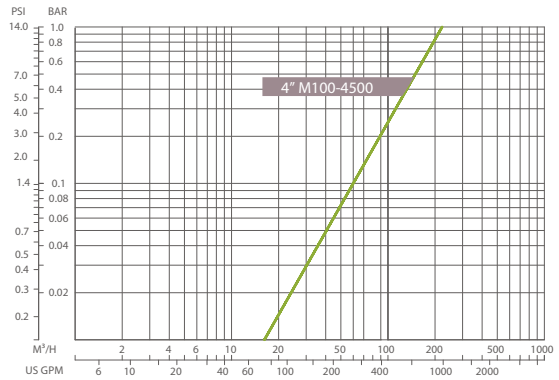
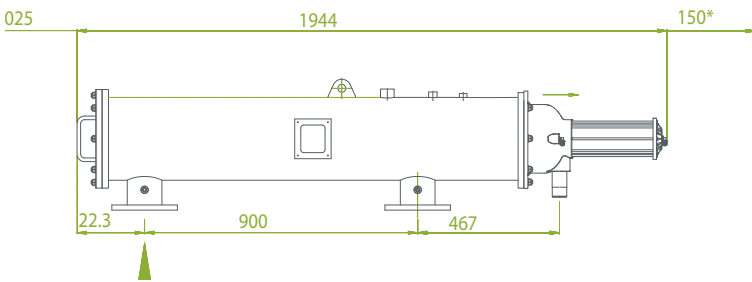
Pressure loss (screen of 130 micron)



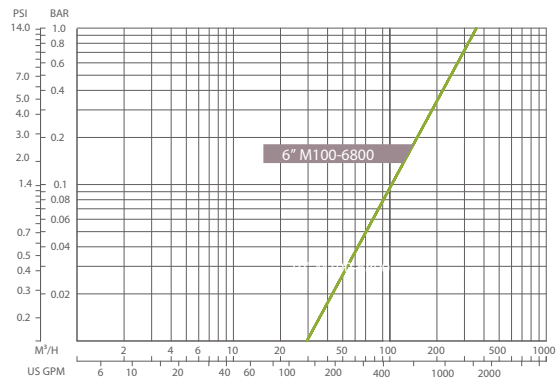
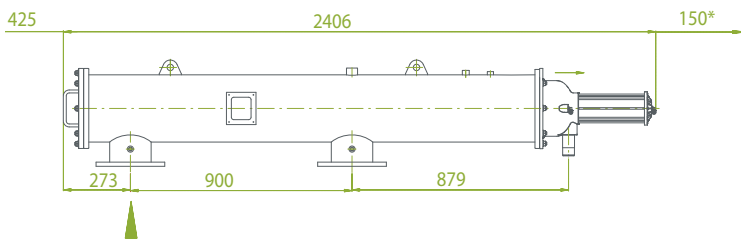
M100-1500



M100-4500



M100-6800A



INSTALLATION & MAINTENANCE

Installation

- ✓ Pre-filtration with 250 micron is recommended when filtering surface water and drain water and ebb and flood systems (80 micron).
- ✓ Before installation, read the manual where you will find drawings and installation instructions.
- ✓ Install a non-return valve on the outgoing side to prevent damage due to water hammer, etc.
- ✓ Ensure that the correct screen is installed, that the installation sequence is correct and that the seals are fitted (see manual for M100 filters)

Maintenance

- ✓ We recommend that the function of the M100 filter and screen is checked at regular intervals, depending on the application, but at least once a year.
- ✓ For removing the filter screen, special filter extractors are available, 74480-061475 (models 750/1500) and 74480-017330 (models 4500/6800)

M100-750



M100-4500



M100-1500



M100-6800A

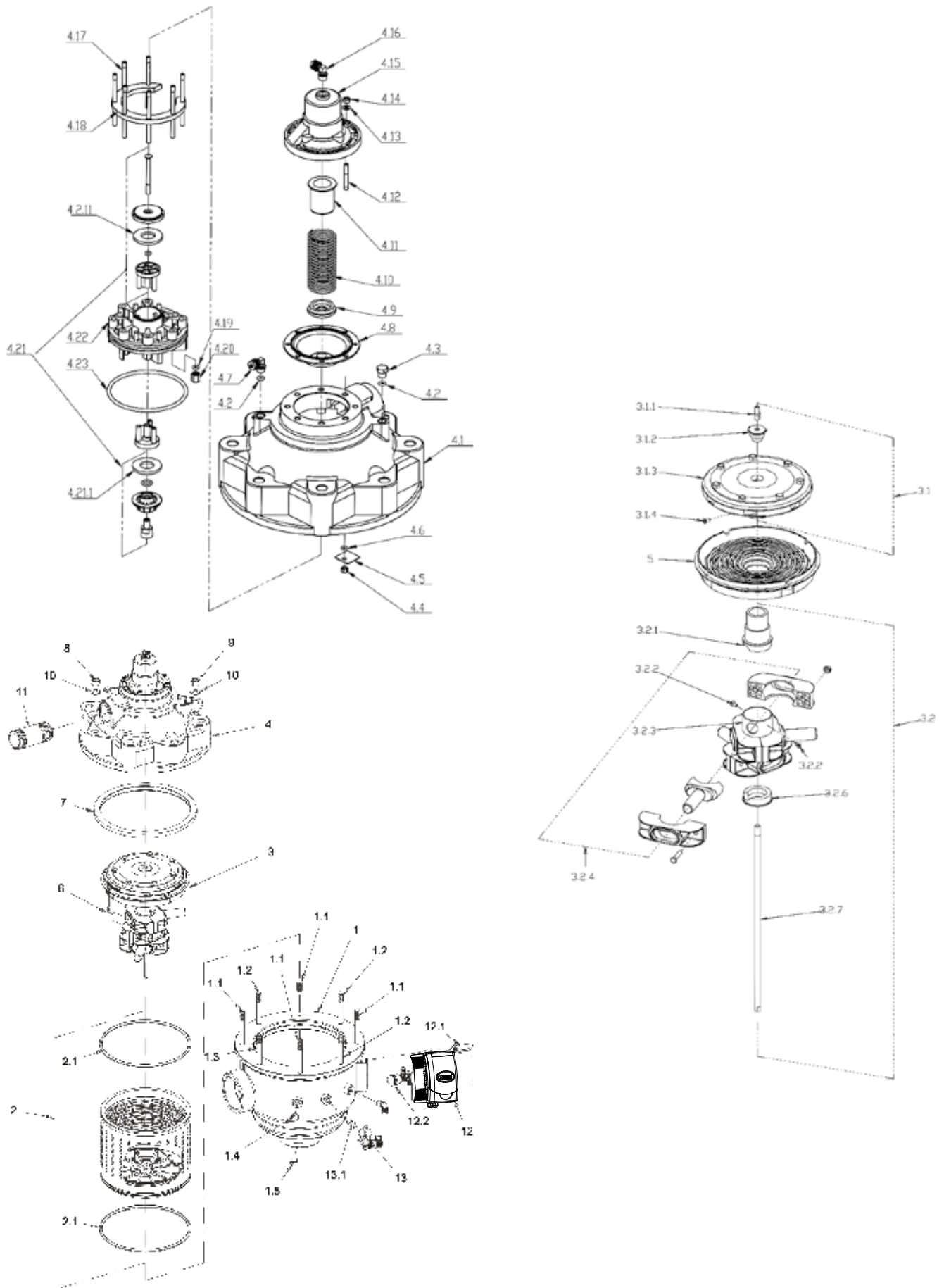


M100 filters are supplied as standard with flange connection.

PARTS LIST M100-750

Item	Amiad M100-750 hydraulic filter parts schedule	Netafim art. no.		
1	Filter Housing	A.710105-XXXXXX	6	Phillips Flat Tap Screw #8 x 5/8" 304 74480-011867
1.1	Stud Bolt Long 1/2" UNC x 108/25/15 S/ST304	74480-061463	7	Seal Cover M1 x 2C/X/LP/10 55-60 SH. NAT 74480-017350
1.2	Stud Bolt 1/2" UNC x 100/25/15 S/ST304	74480-061462	8	Hex JAM NUT 1/2" UNC S/ST304 B18.2.2 74480-061487
1.3	Stud Bolt Short 1/2" UNC x 92/20/10 S/ST304	74480-061464	9	Hex NUT 1/2" UNC Zinc Plated C/ST B18.2.2 74480-011875
1.4	Plug 1/4"M Blue	A.720501-000190	10	Flat Washer 1/2" x 3 OD40 Zinc Plated C/ST 74480-014757
1.5	Plug 1/4"M Blue	A.720501-000190	11	Fitting Nipple 1.5" BSP/NPT x 105 Long PVC A.780101-000935
2	Fine Screen	diverse	11a	PVC Nipple 1.5" BSP x 105 PVC 74480-012280
2.1	O-Ring Seal 674 SH55-60 Soft NIT. M x 2L/NAT	74480-017345	12	Amiad 6V/DC-6 Controller 74480-018425
3	Dirt Collector Assembly 3 Nozzles M102C/103C - incl. rotor	A.700190-001724	12	Supply adapter controller 230V 74480-018444
3.1	Rotor Assembly M102C/M104C	A.700190-001739	12.1	PD Switch UE 24-011 74480-011540
3.1.1	Bearing Lower Male S/ST316 M x 02L/3/4(P)	74480-061488	12.2	Solenoid Latch Valve Body S982-2L 74480-013120
3.1.2	Housing Bearing Rotor Mod. Brass M102/3(B)	74480-017415	12.3	Mounting plate for flshing controller new model A.710105-004335
3.1.3	Rotor Nylon 42161 M102/3(B)	A.710103-000985		
3.1.4	Phillips Flat Tap Screw #8 x 5/8" 304	74480-011867		
3.2	Dirt Collector Sub-Assembly (3N)STD M102/3(B)(C)	A.700190-001725		
3.2.1	Plug Top OD 52 Dirt Collector M102C/3C PVC	74480-017960		
3.2.2	Phillips Pan Tap Screw #8 x 3/8" S/ST316	74480-061460		
3.2.3	Body Dirt Collector OD52 3 Nozzles M102C/103C 316	74480-061481		
3.2.4	Nozzle Suction Clamp(A) OD52 STD M10 x XL	74480-017855		
3.2.6	Dirt Collector Bottom Plug	74480-061480		
3.2.7	Shaft Dirt Collector M102C/3C/302L/3(P S/ST303)	74480-061483		
4	Cover Assembly M102C/3C(L)/4C	A.700190-001727		
4.1	Cover 8 Holes M10 x (X)(L)	74480-061485		
4.2	O-Ring Seals 6 x 3 NBR "S"	74480-061240		
4.3	Plug 1/4"M Blue	A.720501-000190		
4.4	Nylon Insert Lock NUT 1/4" UNC 316 DIN985	74480-011875		
4.5	Square Washers/ST316 (30 x 30)	74480-014758		
4.6	O-Ring Seal P2-107 NBR	74480-004728		
4.7	L-Connector 1/4"M x 6mm Red - Blue	A.720501-000200		
4.8	Diaphragm M102C/104C 70+-5Sh SPC 52 NAT	74480-019065		
4.9	Spring Guide M102/3(B)(C)	74480-010859		
4.10	Spring S/ST302	74480-010858		
4.11	Plug Guide Spring M102/3	74480-010862		
4.12	Rod Tie Short Diaphragm Cover M102/3(B) S/ST	A.710103-001083		
4.13	Flat Washer M6 DIN125 S/ST316	76540-005280		
4.14	Hex NUT 1/4"UNC S/ST316 B18.2.2	74480-011870		
4.15	Diaphragm Cover M102c/104C	74480-061465		
4.16	L-Connector 1/4"M x 6mm Black-Blue	A.720501-000194		
4.17	Rod Tie Long Diaphragm Cover Brass M102/3(B)	74480-005966		
4.18	Support Rod Tie Diaphragm Brass M102/3(B)	74480-061466		
4.19	O-Ring Seal P2-107 NBR	74480-004728		
4.2	NUT Special Brass M102/3(B)	74480-019069		
4.21	Exhaust Valve Assembly (102/3/4C)	74480-011145		
4.21	1 Seal Valve M102/3C NBR	A.770104-000133		
4.22	Seat Valve (Insert)	74480-005955		
4.23	O-Ring Seal (P2-351) 50+5 NBR	74480-004650		
5	Flushing chamber T01	74480-061486		

PARTS DRAWING M100-750



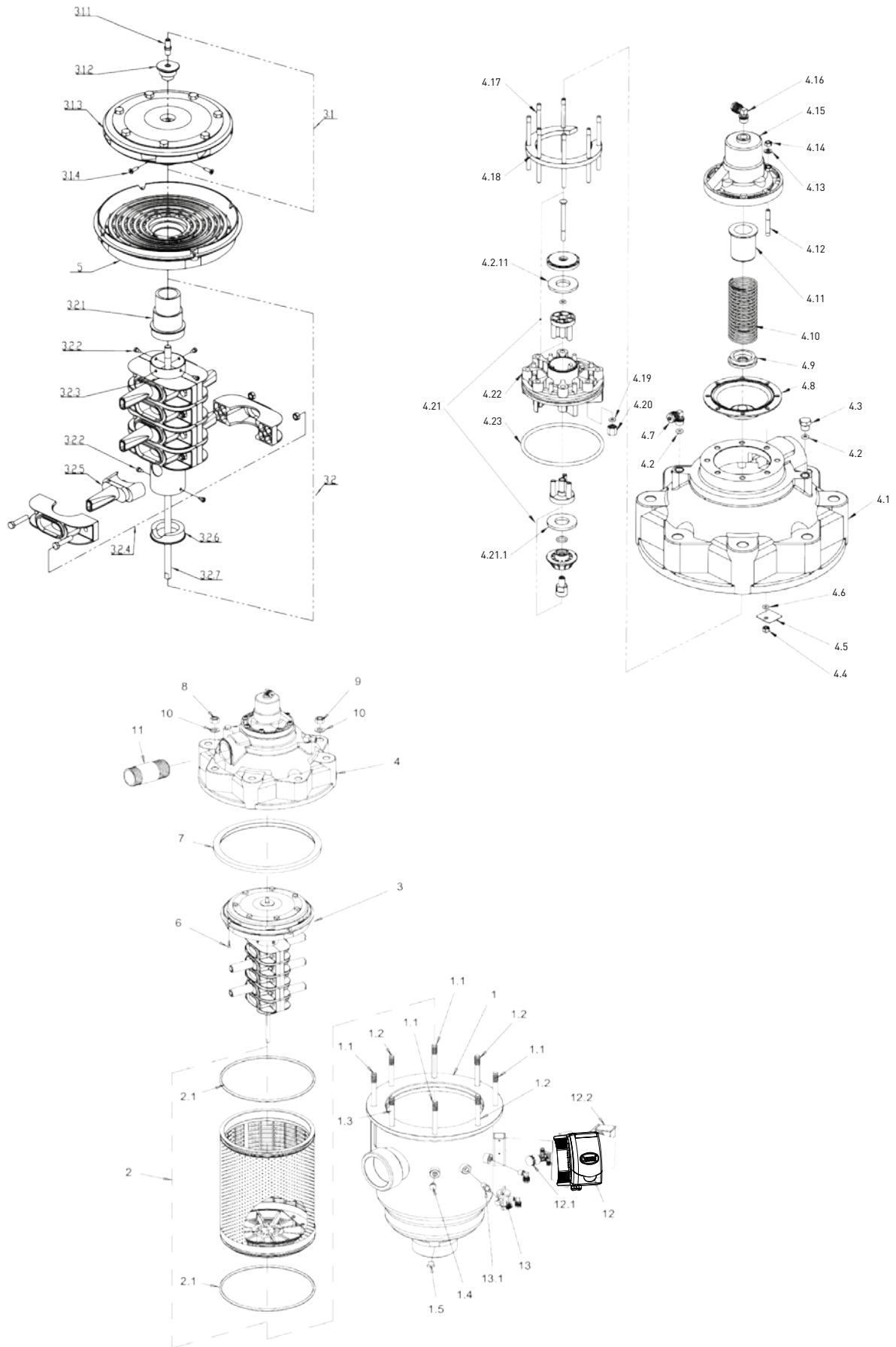
PARTS LIST M100-1500

Item	Amiad M100-1500 hydraulic filter parts schedule	Netafim art. no.
1	Filter Housing	A.710105-XXXXXX
1.1	STud Bolt Long 1/2" UNC x 108/25/15 S/ST304	74480-061463
1.2	STud Bolt 1/2" UNC x 100/25/15 S/ST304	74480-061462
1.3	STud Bolt Short 1/2" UNC x 92/20/10 S/ST304	74480-061464
1.4	Plug 1/4" M Blue	A.720501-000190
1.5	Plug 1/4" M Blue	A.720501-000190
2	Fine Screen	diverse
2.1	O-Ring Seal 674 SH55-60 SOFT NIT. M x 2L/NAT	74480-017345
3	Dirt Collector Assembly 5 Noz M103CL/104C incl. rotor	A.700190-001756
3.1	Rotor Assembly M102C/M104C	A.700190-001739
3.1.1	Bearing Lower Male S/ST316 M x 02L/3/4(P)	74480-061488
3.1.2	Housing Bearing Rotor Mod. Brass M102/3(B)	74480-017415
3.1.3	Rotor Nylon 42161 M102/3(B)	A.710103-000985
3.1.4	Phillips Flat Tap Screw #8 x 5/8" 304	74480-011867
3.2	Dirt Collector Assembly 5 Nozzles M103CL/104C	A.700190-001766
3.2.1	Plug Top OD 52 Dirt Collector M102C/3C PVC	74480-017960
3.2.2	Phillips Pan Tap Screw #8 x 3/8" S/ST316	74480-061460
3.2.3	Body Dirt Collector OD52 3 Nozzles M102C/103C 316	74480-061481
3.2.4	Nozzle Suction Clamp(A) Od52 STD M10 x XL	74480-017855
3.2.5	Nozzle Suction Oval Clamped	A.710101-000704
3.2.6	Dirt Collector Bottom Plug	74480-061480
3.2.7	Shaft Dirt Collector M102C/3C/302L/3(P) S/ST303	74480-061483
4	Cover Assembly M102C/3C(L)/4C	A.700190-001727
4.1	Cover 8 Holes M10 x (X)(L)	74480-061485
4.2	O-Ring Seal 6 x 3 NBR "S"	74480-061240
4.3	Plug 1/4"M Blue	A.720501-000190
4.4	Nylon Insert Lock NUT 1/4" UNC 316 DIN985	74480-011875
4.5	Square Washers/ST316 (30 x 30)	74480-014758
4.6	O-Ring Seal P2-107 NBR	74480-004728
4.7	L-Connector 1/4" M x 6mm Red-Blue	A.720501-000200
4.8	Diaphragm M102C/104C 70+-5SH S.P.C 52 NAT	74480-019065
4.9	Spring Guide M102/3(B)(C)	74480-010859
4.10	Spring S/ST302	74480-010858
4.11	Plug Guide Spring M102/3	74480-010862
4.12	Rod Tie Short Diaphr Cover M102/3(B)S/ST	A.710103-001083
4.13	Flat Washer M6 DIN125 S/ST316	76540-005280
4.14	Hex NUT 1/4" UNC S/ST316 B18.2.2	74480-011870
4.15	Diaphragm Cover M102C/104C	74480-061465
4.16	L-Connector 1/4"M x 6mm Black-Blue	A.720501-000194
4.17	Rod Tie Long Diaphragm Cover Brass M102/3(B)	74480-005966
4.18	Support Rod Tie Diaphragm Brass M102/3(B)	74480-061466
4.19	O-Ring Seal P2-107 NBR	74480-004728
4.2	NUT Special Brass M102/3(B)	74480-019069
4.21	Exhaust Valve Assembly (102/3/4C)	74480-011145
4.21.1	Seal Valve M102/3C NBR	A.770104-000133
4.22	Seat Valve (Insert)	74480-005955
4.23	O-Ring Seal (P2-351) 50+5 NBR	74480-004650
5	Flushing chamber T01	74480-061486
6	Phillips Flat Tap Screw #8 x 5/8" 304	74480-011867
7	Seal Cover M1 x 2C/X/LP/10 55-60 SH. NAT	74480-017350

8	Hex JAM NUT 1/2" UNC S/ST304 B18.2.2	74480-061487
9	Hex NUT 1/2" UNC Zinc Plated C/ST B18.2.2	74480-011875
10	Flat Washer 1/2" x 3 ODD40 Zinc PL. C/ST	74480-014757
11	Fitting Nipple 1.5" BSP/NPT x 105 Long PVC	A.780101-000935
11a	PVC Nipple 1.5" BSP x 105 PVC	74480-012280
12	Amiad 6V/DC-6 Controller	74480-018425
12	Supply adapter controller 230V	74480-018444
12.1	Pd Switch UE 24-011	74480-011540
12.2	Solenoid Latch Valve Body S982-2L	74480-013120
12.3	Mounting plate for flushing controller new model	A.710105-004335

If replacing the old model of controller, the mounting plate and power supply unit must also be replaced.

PARTS DRAWING M100-1500



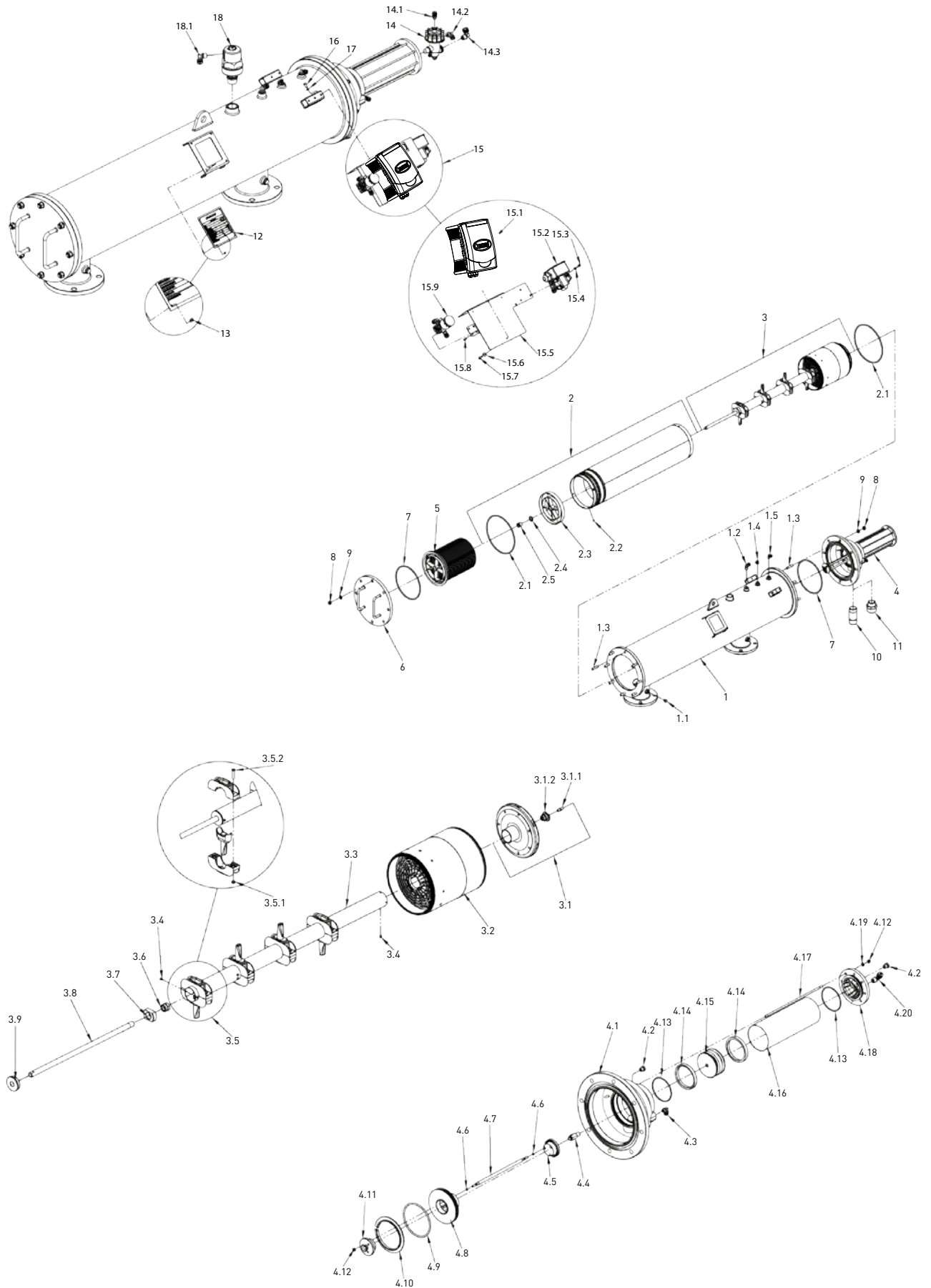
PARTS LIST M100-4500

Item	Amiad M100-4500 hydraulic filter parts schedule	Netafim art. no.
1	Housing M104-LP BSTD EPOXY PKPK-5010	A.710105-000325
1.1	Plug 1/4"M Blue	A.720501-000190
1.2	L-Connector 3/8"M x 12mm Black-Blue	A.720501-000199
1.3	STud Bolt 1/2" UNC x 50 Long 42358 S/ST303	74480-061459
2	M100-4500 cilinder	diverse
2.1	O-Ring Seal 674 SH55-60 Soft NIT. M x 2L/NAT	74480-017345
2.2	U.CUT Phil Flat Machined SCRW #10UNC x 5/16" 304	74480-061461
2.3	Handle Screen Type 1 Mod, M x 02-6L(P)	74480-017411
2.4	Ring Spacer for Bearing Assembly S/ST 316	74480-008420
2.5	Bearing Upper for Screen M x 03l/16P S/ST316	74480-017412
3	Dirt Collector Assembly	A.700190-001508
3.1	Rotor (A) M1 x X(C)(X)(L)P 304 Nylon Assembly	A.710103-000989
3.1.1	Lower Bearing Male K110 M x 02L/4P	74480-017410
3.1.2	Housing Bearing Rotor Mod.Brass M102/3(B)	74480-017415
3.2	Flushing Chamber for M104L-110 Screen	74480-017470
3.3	Body Dirt Collector S/ST304	74480-061470
3.4	Phillips Pan Tap Screw #8 x 3/8" S/ST316	74480-061460
3.5	Nozzle Suction Clamp Assembly (A)OD52 STD M10XXL	74480-017855
3.5.1	Nylon Insert Lock NUT 1/4" UNC 316 DIN985	74480-011875
3.5.2	Hex Bolt Partial Thread 1/4" UNC x 1 1/4" 304	A.760101-000417
3.6	Connector Brass Dirt COL/SHAFT M x 04L/16P	74480-017419
3.7	Central Support Collector	74480-017870
3.8	Shaft Dirt Collector M-X04L/8L(P) Brass	74480-017413
3.9	Upper Plug Collector	74480-017880
4	Piston Lid Assembly	A.700190-001541
4.1	Cast-Iron Cover 8 Holes, Blue M10 x (X)(L)	A.710103-000819
4.2	Plug 1/4"M Blue	A.720501-000190
4.3	L-Connector 1/4"M x 6mm Red-Blue	A.720501-000200
4.4	Rod Piston M1 x X(L)(P) S/ST316	74480-017259
4.5	Valve Seat new RL	74480-017257
4.6	O-Ring Seal 9 NAT	74480-004515
4.7	Spacer Bolt Valve	74480-005774
4.8	Seat Valve Seal M106 (Cast-Iron Cover)	A.710103-000901
4.9	O-Ring Seal (P2-351) 50+5 NBR	74480-004650
4.10	Ring Retaining Cover Seat Seal M106	74480-005950
4.11	Bearing Valve Combined Assembly RL	74480-017427
4.12	Nylon Insert Lock NUT 1/4"UNC 316 DIN985	74480-011875
4.13	O-Ring Seal (P2-237) NAT	74480-004660
4.14	Seal U-Ring 95 x 75 x 10 65+5 NBR	74480-017355
4.15	Holder Cylinder Seal M1 x X(L)(P) Delrin	74480-005773
4.16	Cylinder 97 x 95 x 1mm LG 272±0.2 M10x(L)(P)	74480-017422
4.17	Rod Tie M106 Cover Cylinder S/ST303	A.710103-000903
4.18	Plug Piston M10 x (L)(P)	74480-017414
4.19	Flat Washer M6 DIN125 S/ST316	76540-005280
4.20	L-Connector 3/8"M x 12mm Black-Blue	A.720501-000199
5	Coarse Screen T4	74480-017570
6	Cover M1XX EPOXY PKPK-5010	74480-061265
7	O-Ring P2-448 SAF-6000 Drive Unit Adaptor NBR	74480-004720
8	Hex NUT 1/2"UNC Zinc Plated C/ST B18.2.2	74480-011875
9	Flat Washer M12 DIN125 Zinc Plated C/ST	74480-014754

10	PVC Nipple 1.5" BSP x 105 PVC	74480-012280
10a	Fitting Nipple 1.5" BSP/NPT x 105 Long PVC	A.780101-000935
11	Reducing Nipple 2" x 11/2"PP	A.780101-000611
12	Nameplate Filtomat CE Aluminium EN	A.900103-000001
13	Rivet Blind 3 x 6 DIN 7337 S/ST316	A.760105-000036
14	Hydraulic Relay 3W 25-300-Dorot	74480-013101
14.1	STraight Connector 1/8"M x 6mm Black-Blue	74480-012742
14.2	L-Connector 3/8"M x 8mm Black-Blue	74480-012743
14.3	L-Connector 3/8"M x 12mm Black-Blue	A.720501-000199
15	Controller 6VDC (X1) EN/SP Assembly	A.700190-001554
15.1	Amiad 6V/DC-6 Controller	74480-018425
15.1	Supply adapter controller 230V	74480-018444
15.2	Pd Switch UE 24-011	74480-011540
15.3	Flat Washer M4 DIN125 S/ST304	A.760103-000092
15.4	Phillips Pan Machine Screw M4 x 15 304	A.760101-000510
15.5	Mounting plate for flushing controller new model	A.710105-004336
15.6	Impeller Washer	A.710101-000807
15.7	Phillips Pan Tap Screw PT 4 x 20 S/ST316	A.760101-000537
15.8	Phillips Pan Machine Screw M4x10 316	A.760101-000529
15.9	Solenoid Latch Valve Body S982-2L	74480-013120
16	Hex Bolt Full Thread 1/4" UNC x 1/2" S/ST316	A.760101-000552
17	Spring Washer M6 DIN127 S/ST316	A.760103-000109
18	1" D-040-P BSPT Air Valve Barak DR 3/8"	70500-000600
18.1	L-Connector 3/8"M x 12mm Black-Blue	A.720501-000199

If replacing the old model for controller, the mounting plate (15.5) and the power supply (15.1) unit must also be replaced.

PARTS DRAWING M100-4500



PARTS LIST M100-6800A

Item	Amiad M100-6800A hydraulic filter parts schedule	Netafim art.no.		
1	Housing M104-XLP BSTD EPOXY PKPK-5010	A.710105-000404	8	Hex NUT 1/2"UNC Zinc Plated C/ST B18.2.2 74480-011875
1.1	Plug 1/4"M Blue	A.720501-000190	9	Flat Washer M12 DIN125 Zinc Plated C/ST 74480-014754
1.2	L-Connector 3/8"M x 12mm Black-Blue	A.720501-000199	10	PVC Nipple 1.5" BSP x 105 PVC 74480-012280
1.3	STud Bolt 1/2" UNC x50 Long 42358 S/ST303	74480-061459	10a	Fitting Nipple 1.5" BSP/NPT x 105 Long PVC A.780101-000935
2	Molded ST316 6800SQ.CM SC300M for M100-6800A	74480-017750	11	Reducing Nipple 2" x 11/2"PP A.780101-000611
2.1	O-Ring Seal 674 SH55-60 Soft NIT. M x 2L/NAT	74480-017345	12	Nameplate Filtomat CE Aluminium EN A.900103-000001
2.2	U.Cut Phillips Flat Machined SCRW #10UNC x 5/16" 304	74480-061461	13	Rivet Blind 3 x 6 DIN 7337 S/ST316 A.760105-000036
2.3	Handle Screen Type 1 Mod, M x 02-6L(P)	74480-017411	14	Hydraulic Relay 3W 25-300-Dorot 74480-013101
2.4	Ring Spacer for Bearing Assembly S/ST 316	74480-008420	14.1	Straight Connector 1/8"M x 6mm Black-Blue 74480-012742
2.5	Bearing Upper for Screen M x 03L/16P S/ST316	74480-017412	14.2	L-Connector 3/8"M x 8mm Black-Blue 74480-012743
3	Dirt Collector Assembly 6 Nozzles+Partition STd M104	A.700190-001670	14.3	L-Connector 3/8"M x 12mm Black-Blue A.720501-000199
3.1	Rotor (A) M1 x X(C)(X)L(P) 304 Nylon Assembly	A.710103-000989	15	Controller 6VDC (x1) EN/SP Assembly A.700190-001554
3.1.1	Lower Bearing Male K110 M x 02L/4P	74480-017410	15.1	Amiad 6V/DC-6 Controller 74480-018425
3.1.2	Housing Bearing Rotor Mod. Brass M102/3(B)	74480-017415	15.1	Supply sadapter controller 230V 74480-018444
3.2	Flushing Chamber for M104I-110 Screen	74480-017470	15.2	PD Switch UE 24-011 74480-011540
3.3	Body Dirt Collector S/ST304	74480-061470	15.3	Flat Washer M4 DIN125 S/ST304 A.760103-000092
3.4	Phillips Pan Tap Screw #8 x 3/8" S/ST316	74480-061460	15.4	Phillips Pan Machine Screw M4 x 15 304 A.760101-000510
3.5	Nozzle Suction Clamp Assembly (A)OD52 STD M10 x XL	74480-017855	15.5	Mounting plate for flushing controller new model A.710105-004336
3.5.1	Nylon Insert Lock NUT 1/4" UNC 316 DIN985	74480-011875	15.6	Impeller Washer A.710101-000807
3.5.2	Hex Bolt Partial Thread 1/4" UNC x1 1/4" 304	A.760101-000417	15.7	Phillips Pan Tap Screw PT 4 x 20 S/ST316 A.760101-000537
3.6	Connector Brass Dirt Collector/Shaft M x 04L/16P	74480-017419	15.8	Phillips Pan Machine Screw M4 x 10 316 A.760101-000529
3.7	Central Support Collector	74480-017870	15.9	Solenoid Latch Valve Body S982-2L 74480-013120
3.8	Shaft Dirt Collector M-X04L/8L(P) Brass	74480-017413	16	Hex Bolt Full Thread 1/4"UNC x 1/2" S/ST316 A.760101-000552
3.9	Upper Plug Collector	74480-017880	17	Spring Washer M6 DIN127 S/ST316 A.760103-000109
4	Piston Lid Assembly	A.700190-001541	18	1" D-040-P BSPT Air Valve Barak DR 3/8" 70500-000600
4.1	Cast-Iron Cover 8 Holes, Blue M10 x (X)(L)	A.710103-000819	18.1	L-Connector 3/8"M x 12mm Black-Blue A.720501-000199
4.2	Plug 1/4"M Blue	A.720501-000190		
4.3	L-Connector 1/4"M x 6mm Red-Blue	A.720501-000200		
4.4	Rod Piston M1 x X(L)(P) S/ST316	74480-017259		
4.5	Valve Seat new RL	74480-017257		
4.6	O-Ring Seal 9 NAT	74480-004515		
4.7	Spacer Bolt Valve	74480-005774		
4.8	Seat Valve Seal M106 (Cast-Iron Cover)	A.710103-000901		
4.9	O-Ring Seal (P2-351) 50+5 NBR	74480-004650		
4.10	Ring Retaining Cover Seat Seal M106	74480-005950		
4.11	Bearing Valve Combined Assembly RL	74480-017427		
4.12	Nylon Insert Lock NUT 1/4"UNC 316 DIN985	74480-011875		
4.13	O-Ring Seal (P2-237) NAT	74480-004660		
4.14	Seal U-Ring 95 x 75 x 10 65+-5 NBR	74480-017355		
4.15	Holder Cylinder Seal M1 x X(L)(P) Delrin	74480-005773		
4.16	Cylinder 97 x 95 x 1mm LG 272±0.2 M10 x (L)(P)	74480-017422		
4.17	Rod Tie M106 Cover Cylinder S/ST303	A.710103-000903		
4.18	Plug Piston M10 x (L)(P)	74480-017414		
4.19	Flat Washer M6 DIN125 S/ST316	76540-005280		
4.2	L-Connector 3/8"M x 12mm Black-Blue	A.720501-000199		
5	Coarse Screen(A) STD+HT M x 06/6XLP	74480-017600		
5a	Coarse Screen(A) STD M x 08-8LP	A.700101-000749		
6	Cover M1x X Epoxy PKPK-5010	74480-061265		
7	O-Ring P2-448 SAF-6000 Drive Unit Adaptor NBR	74480-004720		

PARTS DRAWING M100-6800A

