

WST Bayonet

Arad



The WST Bayonet water meter (successor to the WST) operates according to the Woltman principle and is extremely reliable with limited susceptibility to wear caused by contaminated water. The propeller is the only moving part that comes into contact with the water. This model comes with a bayonet connection for its registers, which makes register replacement more easy.

APPLICATION

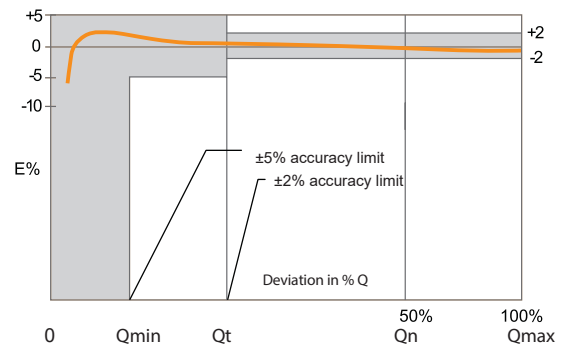
Grid water supply, agricultural and industrial applications

CHARACTERISTICS

- ✓ Improved hydraulic performance
- ✓ Wide measuring range for various applications
- ✓ Resistant to humidity
- ✓ Easy to open for the replacement of parts
- ✓ Unique measuring system with magnetic transmission
- ✓ Register output by means of (magnetic) Reed contact (EV) or photo-diode pointer (EF-P)

TECHNICAL DATA

Accuracy	: +/- 2% between Q2 and Q4 : +/- 5% between Q1 and Q2
Connection	: 2" - 12" (50 mm - 300 mm) - flange connection
Maximum pressure	: 16 bar
Maximum capacity	: 1250 m ³ /h
Maximum temperature	: 60°C
Head loss	: see chart
Material	: durably epoxy-coated cast iron / brass
Certification	: MID 2014/32/EU (OIML R49:2013, EN 14154 en ISO 4064:2014) : CE, ISO 4064:2014 : NSF, WRAS, AS/NZS 4020:2005



Performance and measuring accuracy (according to MID2014/32/EU - ISO 4064:

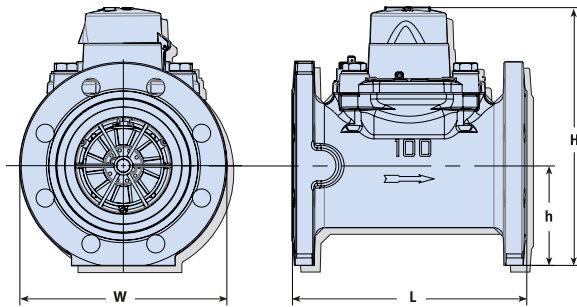
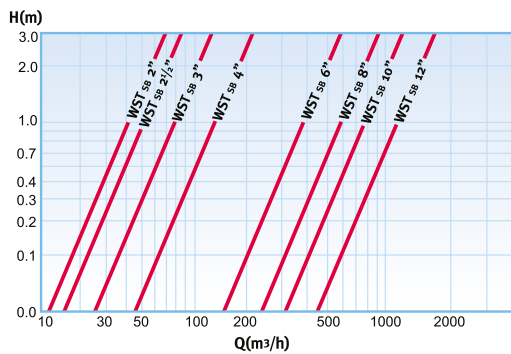
Nominal passage	mm inch	DN50 2"	DN65 2 ½"	DN80 3"	DN100 4"	DN150 6"	DN200 8"	DN250 10"	DN300 12"
Minimal capacity Q1	m ³ /h	0,63	0,63	1	1,6	2,5	12,6	20	20
Transitional capacity Q2	m ³ /h	1,01	1,01	1,6	2,56	4	20,16	32	32
Nominal capacity Q3	m ³ /h	63	63	100	160 / 100*	250	630	1000	1000
Maximum capacity Q4	m ³ /h	78,75	78,75	125	200	312,5	787,5	1250	1250

* 4" EV version 1:10 has a maximum capacity of 100 m³/hour to maintain a correct signal.

Technical drawings and dimensions

Nominal passage	mm inch	DN50 2"	DN65 2 ½"	DN80 3"	DN100 4"	DN150 6"	DN200 8"	DN250 10"	DN300 12"
L - Length	mm	200	200	230	250	300	350	450	500
B - Width	mm	165	185	200	220	283	340	406	489
H - Height	mm	214	228	234	250	310	338	438	465
h - Height	mm	70	84	90	106	130	158	258	330
Weight	kg	12,5	15	15,5	19	35,5	41	80	95
Pitch size	mm	125	145	160	180	240	295	355	410
Bolt size	mm	M16x70	M16x80	M16x80	M16x80	M16x100	M20x120	M24	M24
No. of bolts	no.	2x4	2x4	2x8	2x8	2x8	2x12	2x12	2x12

Head loss (mwc)



Register output

Diameter		Type of register output and units of measure					
		1 pulse / ... litre			1 pulse / ... m ³		
		1	10	100	1	10	100
2	WST50	EF-P	EV	EV	EV		
2 ½"	WST65	EF-P	EV	EV	EV		
3"	WST80	EF-P	EV	EV	EV		
4"	WST100		EF-P / EV*	EV	EV	EV	
6"	WST150		EF-P	EV	EV	EV	
8"	WST200			EF-P	EV	EV	EV
10"	WST250			EF-P	EV	EV	EV
12"	WST300			EF-P	EV	EV	EV

* 4" EV version has a maximum capacity of 100 m³/hour to maintain a correct signal. Unlike other water meters, the register of this water meter cannot be exchanged for other registers with an adjusted pulse ratio.

INSTALLATION & MAINTENANCE

Installation

- ✓ Read the enclosed operating instructions and installation instructions before installation.
- ✓ The water meter can be installed in any position. For non-horizontal positions the flow should be from bottom to top.
- ✓ For optimum measuring, a length of straight pipe should be installed upstream and downstream of the meter measuring 5x Ø and 3x Ø, respectively.
- ✓ The meter should be completely filled with water at all times.
- ✓ For installation of the 8" WST Bayonet a special adapted flange 225 mm is available (77300-000350). This flange fits a VDL flange adapter DN200-225 mm (77300-103552).
- ✓ The installation dimensions of the WST Bayonet are equal to the Octave, WST, WTII en WT water meter, with Octave 3" as only exception (length: 225 mm instead of 230 mm).
- ✓ **Note:** the installation length and -width of the WST Bayonet and WST are identical, but height may differ.
- ✓ The previous WST register type can be placed in the WST Bayonet, without EV housing.