

NR-010 check valve (3" - 10")

A.R.I.



The existing NR-010 Series with 3" and 4" check valves has been extended to include a 6", 8" and 10" model and is available in both 10 bar and 16 bar models. It's the successor to the 2 previous NR-010 and NR-020 types. The NR-010 is a plastic, spring-loaded disc check valve that is installed between bushes and flanges.

The NR 010 is available in both 10 bar (blue arrow) and 16 bar (red arrow) models. This type promotes quiet closing and limits water hammer. This check valve has a completely free passage and hence low head loss, a particular benefit in intake lines. Thanks to its special soft seals and an extra smooth sealing surface, this check valve closes even with extremely low pressures. This valve is optionally available with a position switch or suction strainer.

The valve is available both loose and preassembled between PVC flanges and bushes.

APPLICATION

- ✓ In intake lines
- ✓ In pressure lines, also for protection of filters
- ✓ Resistant to most types of water used in greenhouse horticulture, such as rain, ditch and drain water

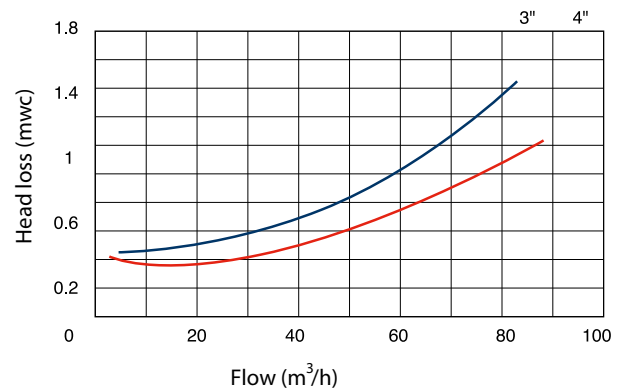
CHARACTERISTICS

- ✓ Both 10 bar and 16 bar
- ✓ Plastic housing
- ✓ Low closing pressure
- ✓ Free passage

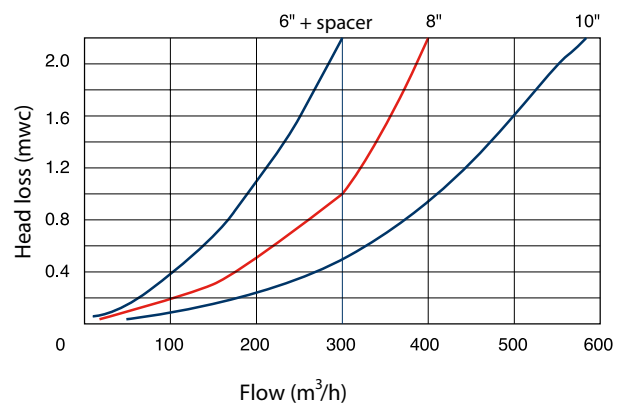
TECHNICAL DATA

Diameters 10 bar	: 3"-90 mm, 4"-110 mm, 4"-125 mm, 6"-160 mm, 8"-200 mm, 10"- 250 mm
Diameters 16 bar	: 3"-90 mm, 4"-110 mm, 4"-125 mm, 6"-160 mm, 8"-200 mm
Head loss	: see chart
Working pressure	: up to 10 bar (blue arrow) : up to 16 bar (red arrow)
Closing pressure	: 0.2 mwc
Material	: see table and drawing
Max. temperature	: 60°C (with decreasing maximum working pressure)
Option	: integrated stainless steel suction strainer (FV=Foot Valve)
Certification	: REACH

head loss 3" to 4"



head loss 6" to 10"



Technical specifications – Limit Switch (LS) 6" - 10":

Principle : Mechanical limit switch
(LS = Limit Switch)

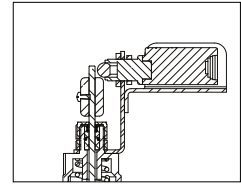
Contact type : dry contact

Maximum voltage : 400 VAC

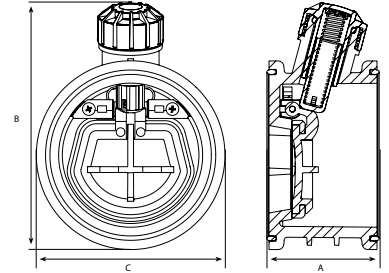
Maximum current : 3 A

Protection class : IP 67

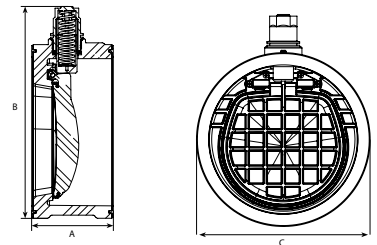
Cable connection : PG 13 nut

**Size and weights: 3" - 10"**

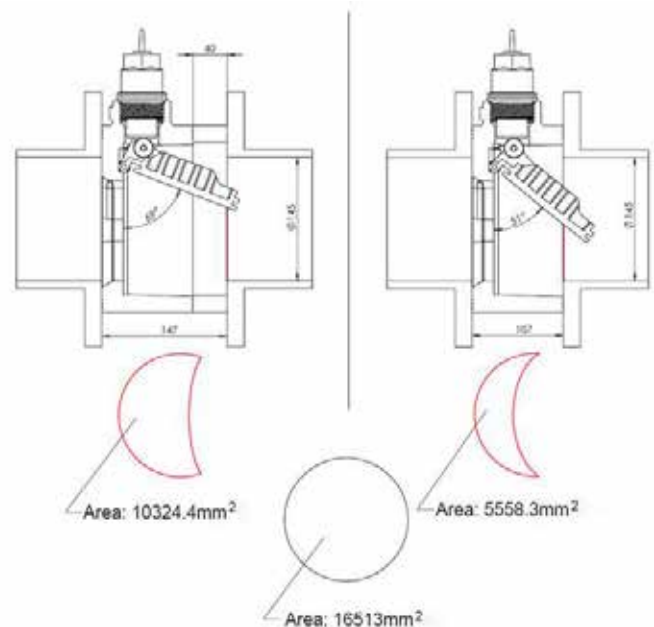
Size/type	Dimensions (mm)			Weight (kg)	Kv-Value (l/min)
	A	B	C		
3"	75	172	132	0,57	3333
4"	85	191	151	0,73	5450
6"	112	291	220	2,6 (excl. spacer-ring)	10367
8"	132	323	259	3,4	15033
10"	145	376	308	4,8	21283

**Size and weights: 6" - 10" Limit Switch (LS)**

Size/type	Dimensions (mm)			Weight (kg)	Kv value (l/min)
	A	B	C		
LS 6"	175	380	220	3,0 (excl. spacer-ring)	10367
LS 8"	170	413	259	3,8	15033
LS 10"	175	465	308	5,2	21283

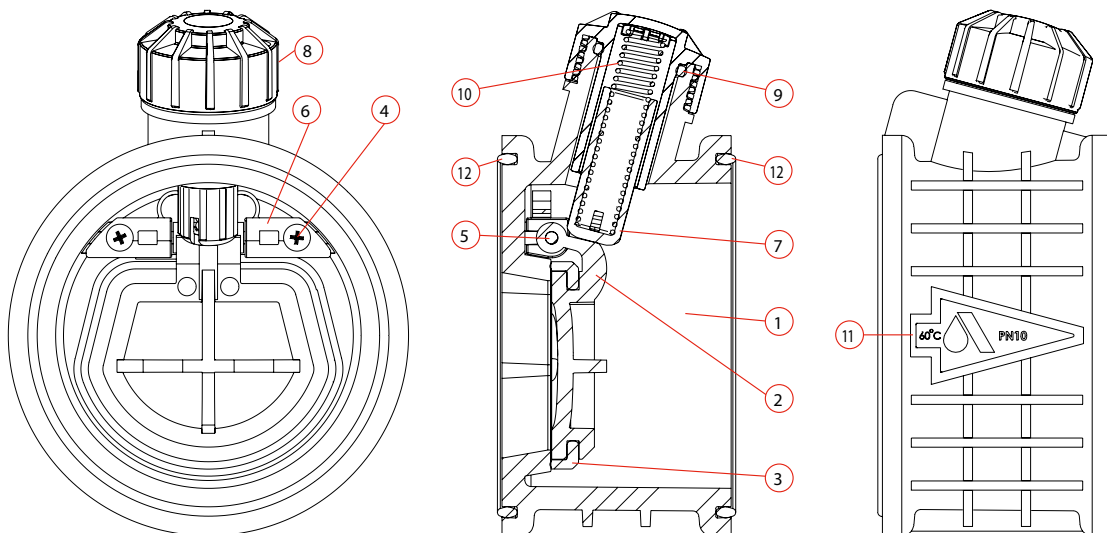
**INSTALLATION & MAINTENANCE**

- ✔ With the 6" model it may be necessary to use a spacer ring (70420-006700) so that the disc has sufficient space to open completely.
- ✔ When mounting in a suction line, a spacer ring must always be used with the 6" version.
- ✔ Ensure that the valve is positioned in the correct flow direction.
- ✔ The valve can be installed both horizontally and vertically.



Parts list and drawing 3" and 4"

No.	Description	Material
1	Body Reinforced	Nylon
2	Disc Reinforced	Nylon
3	Seal	EPDM
4	Bolt (x2)	St.St. 304
5	Shaft	St.St. 316
6	Shaft Housing	Acetal
7	Spring Housing	Acetal
8	Spring Cover	Reinforced nylon
9	O-Ring	BUNA-N
10	Spring	St.St. 302
11	Directional Arrow	Polypropylene
12	Flange Seals	EPDM



Parts list and drawing 6" tot 10"

No.	Description	Material
1	Spring Cover	Reinforced nylon
2	O-ring	Buna-N
3	Flange Seals	EPDM
4	Body	Reinforced nylon
5	Spring	St.St. 302
6	Spring Housing	Acetal
7	Shaft	St.St. 316
8	Seal	EPDM
9	Disk	Reinforced nylon
10	Shaft Housing	Acetal
11	Bolt (x4)	St.St. 304
12	Directional arrow	Polypropylene
13	Limit Switch Assembly	Reinforced nylon
14	Position indicator Stem	St.St. 316
15	O-ring	Buna-N
16	Nut	Reinforced nylon

