

# St.St. control ball valve with Nedvalve

Genebre / NedValve



The stainless steel ball valve is available in smaller diameters. The almost linear ball characteristics are specially designed for flow control.

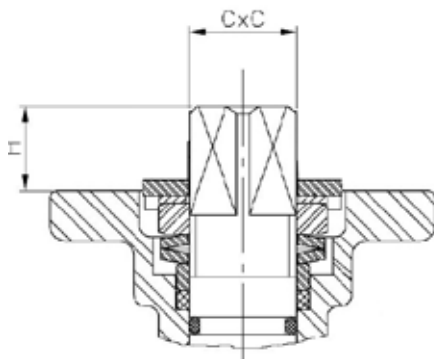
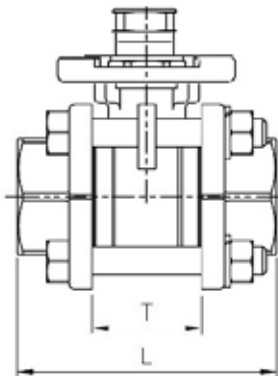
## CHARACTERISTICS

- ✓ Stainless steel ball valve with CS15 NedValve actuator (smart model)
- ✓ V-shaped ball with near linear characteristics
- ✓ 4-20 mA feedback
- ✓ Chemical resistance

## APPLICATION

Flow volume control for i.e. UV disinfection units

## Drawings



## TECHNICAL DATA

### Ball valve

Dimensions	: ¼" to 1¼"
Standard	: DIN2999 (St.St. ball valve)
Material	: SS AISI316 (CF8M)
	: FPM o-ring
	: PTFE + 15% G.F. (seal)
Maximum pressure	: 63 bar
Temperature	: -25 °C to 180 °C
Ball model	: V-shape

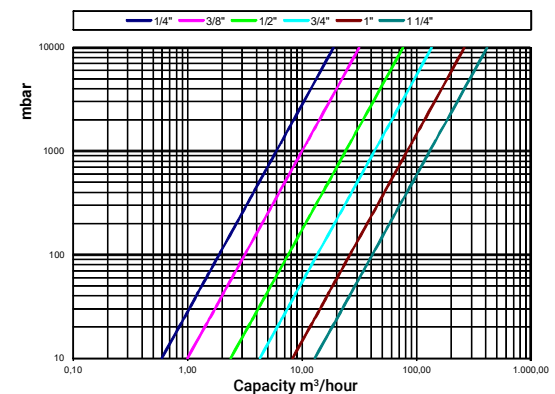
## Dimensions and weight

Male thread (")	H- Height (mm)	C x C (mm)	ISO 5211 connection
¼"	10	9 X 9	F-03
⅜"	10	9 X 9	F-03
½"	11	9 X 9	F-03/F-04
¾"	11	11 X 11	F-04/F-05
1"	11	11 X 11	F-04/F-05
1¼"	15	14 X 14	F-05/F-07

## Kv-value (m³/h)

Diameter	¼"	⅜"	½"	¾"	1"	1¼"
Kv-value	6	10	24	43	83	130

## Head loss



## NedValve actuator

Default	: CS15 (smart model)
Optional	: manual ball valve