

PVC VDL check valve



VDL Fittings

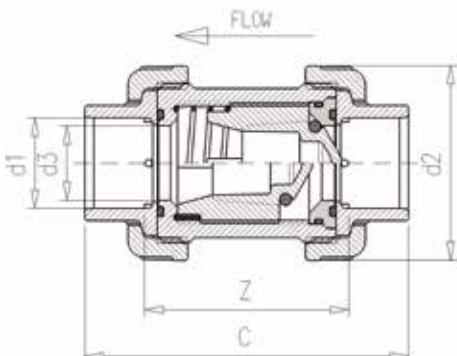
The VDL PVC check valve is spring-loaded with cone and has rubber seals. The cone has guideways so that the cone is always in the right place; these guideways also prevent the cone from rotating. As a result, this valve is very stable during use. The VDL valve can be installed in any direction and with proper use offers a lasting leak-free connection.

APPLICATION

- ✓ With clean water, e.g. rain water in intake and pressure lines

CHARACTERISTICS

- ✓ Low resistance
- ✓ Spring-loaded with cone
- ✓ EPDM / FPM model
- ✓ Available in various sizes



TECHNICAL DATA

Model	: cone with spring
Diameters	: 16 - 110 mm
Connection	: glue with nut
Installation	: free installation position
Opening pressure	: 0.05 bar (dia. 16 - 63 mm) : 0.1 bar (dia. 75 - 110 mm)
Max. working pressure	: 16 bar (dia. 16 - 63 mm) : 10 bar (dia. 75 - 110 mm)
Material	: PVC (housing) : EPDM / FPM (seal)
Max. temperature	: 45°C (@ decreasing max. working pressure)

Sizes and Kv-Values

Diame- ter (mm)	DN	d2 (mm)	d3 (mm)	Z (mm)	C (mm)	Kv-value (l/min)
16	10	43	10	46	75	61
20	17	59	17	58	91	147
25	22	64	22	62,5	101,5	263
32	27	73	27	75,5	120,5	388
40	33	86	33	90	143	682
50	40	102	40	108	171	1052
63	50	124	50	129	205,5	1658
75	67	151	67	164	252	1933
90	83	178,5	83	188	291	3166
110	99	215,5	99	225	348	4650

INSTALLATION & MAINTENANCE

- ✓ The valve can be installed both horizontally and vertically.
- ✓ Install strain-free by using brackets.
- ✓ Pay attention to the arrow for the correct flow direction during installation.